




Brass Metropolis

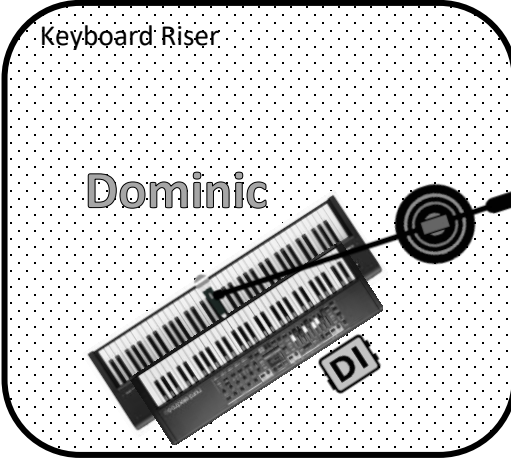
stage plot/input list

We DO require:

- FOH Speakers (and Power)
- XLR Cables
- (2) Boom Mic Stands
- AC Power Drops   
- A clean stage prior to load in

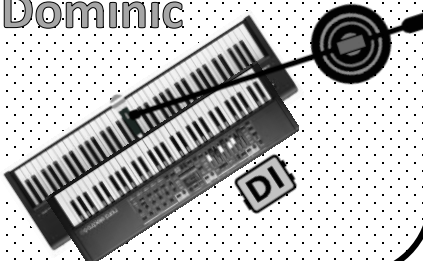




We do NOT need:

- FOH Console
- Any Microphones
- Monitoring Equipment



Keyboard Riser

Dominic

Guitar Amp
D.I. next to amp.

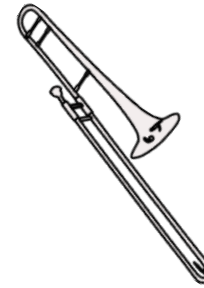
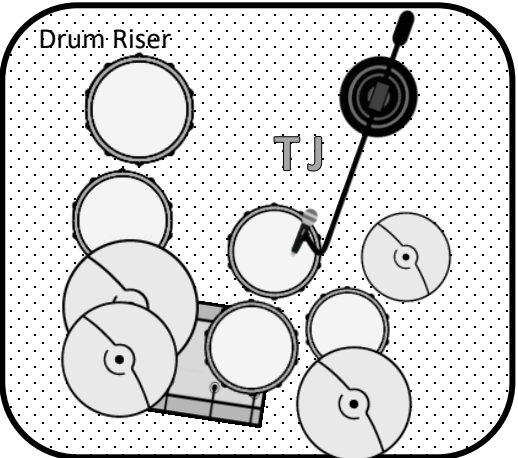
Dan



Lou

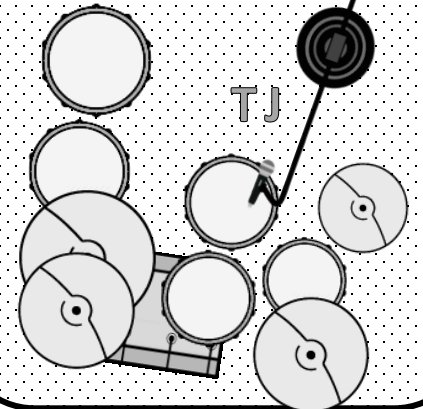





Ryan

Drum Riser

TJ

Bass Amp
D.I. on front of head.

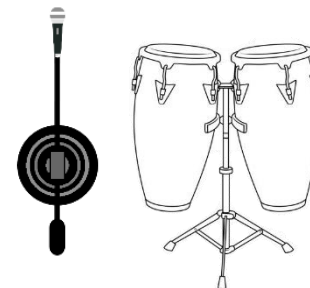
Lake



Rocco



Doug



	Input Channels		PROVIDED Microphone/D.I.
Drums	1	Kick	Audix D6 (in drum)
	2	Snare	Audix i5
	3	Hi-Hat	Rode NT5
	4	Tom 1	Audix D2
	5	Tom 2	Audix D2
	6	Tom 3	Audix D4
	7	Tom 4	Audix D4
	8	Ride Cymbal	Rode NT5
Aux Perc	9	Auxiliary Percussion	Heil PR20
Bass	10	Bass	D.I. (on front of head)
Guitar	11	Guitar	D.I. (next to amp)
Keyboards	12	Nord Stage EX (piano)	D.I. provided
	13	Nord Electro 6 (organ)	D.I. provided
Horns	16	Flute	NUX B6
	17	Saxophone	AMT LS
	18	Trumpet	AMT P800
	19	Trombone	AMT P808
Vocals	20	Dominic (keyboards)	Audix OM6
	21	Lake (guitar)	Heil PR35
	22	Rocco (lead vox/bass)	Heil PR35
	23	Doug (lead vox)	Heil PR35
	24	TJ (drums)	Heil PR35

Contacts:

Band Leader - Rocco (330) 519-4366

Tech Director - Joe (330) 746-6773